

SC03.4101

4X1 HDMI 2.0 Switch

4K@60hz YUV4:4:4 18Gbps

support ARC, CEC, HDR

OPERATION MANUAL



Dear customer

Thank you for purchasing this product. For optimum performance and safety, please read these instructions carefully before connecting, operating or adjusting this product. Please keep this manual for future reference.

Features

- HDMI 2.0 version (Support 4K@60Hz YUV4:4:4)
- Bandwidth upto 18Gbps
- HDCP2.2 , CEC, ARC
- Support HDR10
- Support 4xHDMI in, IR or switch button to choose source out
- Support output with audio extraction,RCA 2.0 SPDIF 5.1
- Support audio mixing,Aux 2.0, SPDIF 5.1(by pass mode)
- Support Dolby True HD and DTS-HD master audio

Package Contents

- 1) 1x HDMI Switch
- 2) 1x 5V DC power supply
- 3) 1x manual book user manual
- 4) Remote controller

TABLE OF CONTENTS

Specifications

Package Contents

Panel Descriptions

Connecting and Operating

Maintenance

Product service

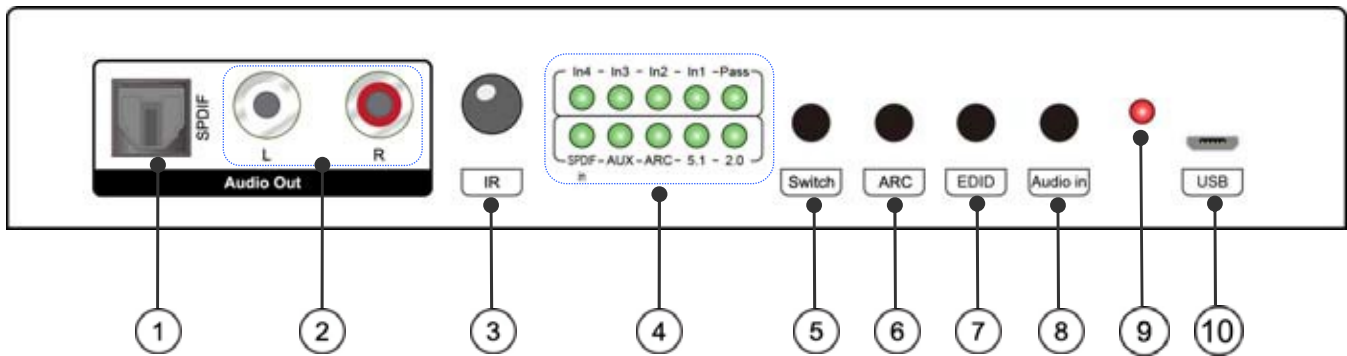
Warranty

Specifications

Operating Temperature Range	-5 to +40°C(+23 to +104°F)
Operating Humidity Range	5 to 90%RH (No Condensation)
Country of origin	China
Power supply	5V
Minimum power (work under 480p60hz)	256mA
Maximum power (work under 4K2K/60hz)	383mA
Max resolution	4k@60hz YUV4:4:4
Function	ARC HDR10 and CEC(only input)
HDMI version	HDMI 2.0
HDCP version	HDCP2.2 HDCP1.4(Auto choose depend TV version)
Control ways	Switch button and remoter control
Audio	Analog audio 2.0, SPDIF 5.1, audio extraction
Distance	1080P 20m, 4k@30hz 10m, 4k@60hz under HDR can support 3m
3D	No
Dimensions(LxWxH)	178x84.1x28.1mm
Audio format	Dolby True HD and DTS-HD master audio(HDMI out)

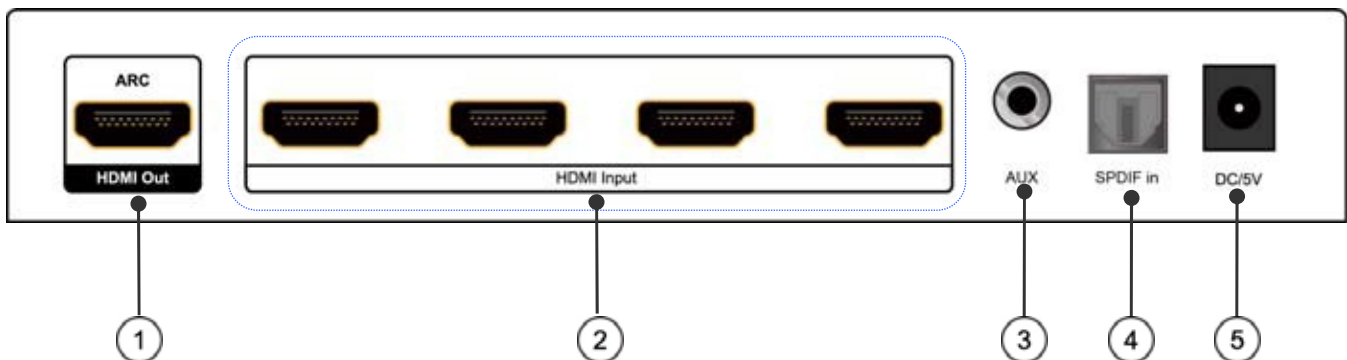
Panel Description

Front Panel



1. SPDIF Audio out
2. Analog audio out
3. IR receiver
4. Source and Audio Led lights
5. Switch Button
6. ARC Button
7. EDID Button
9. Power Led light
10. Upgrade USB port

Back Panel

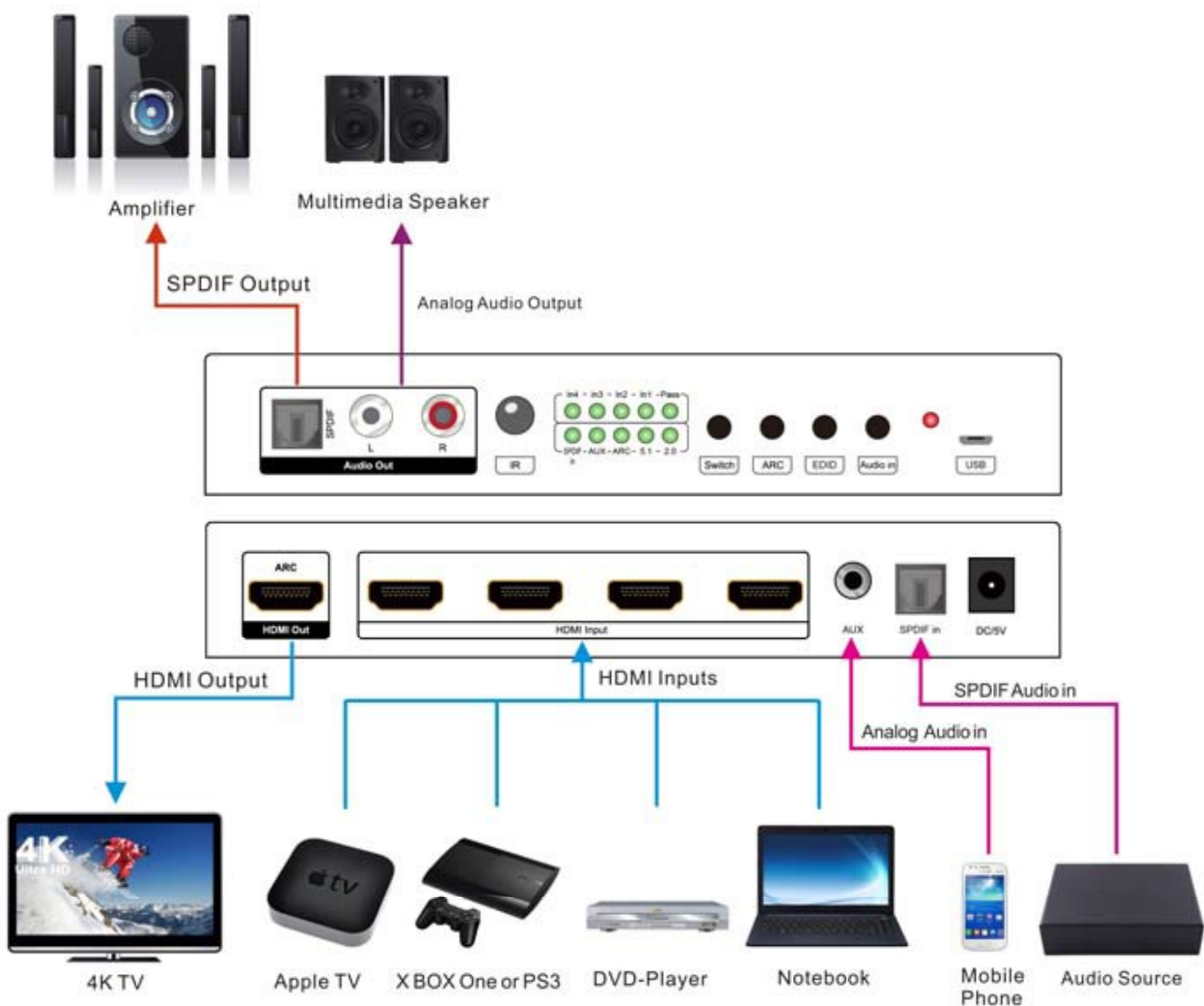


1. HDMI out port
2. HDMI input port
3. Analog audio in
4. SPDIF audio in
5. Power supply port

Connecting and Operating

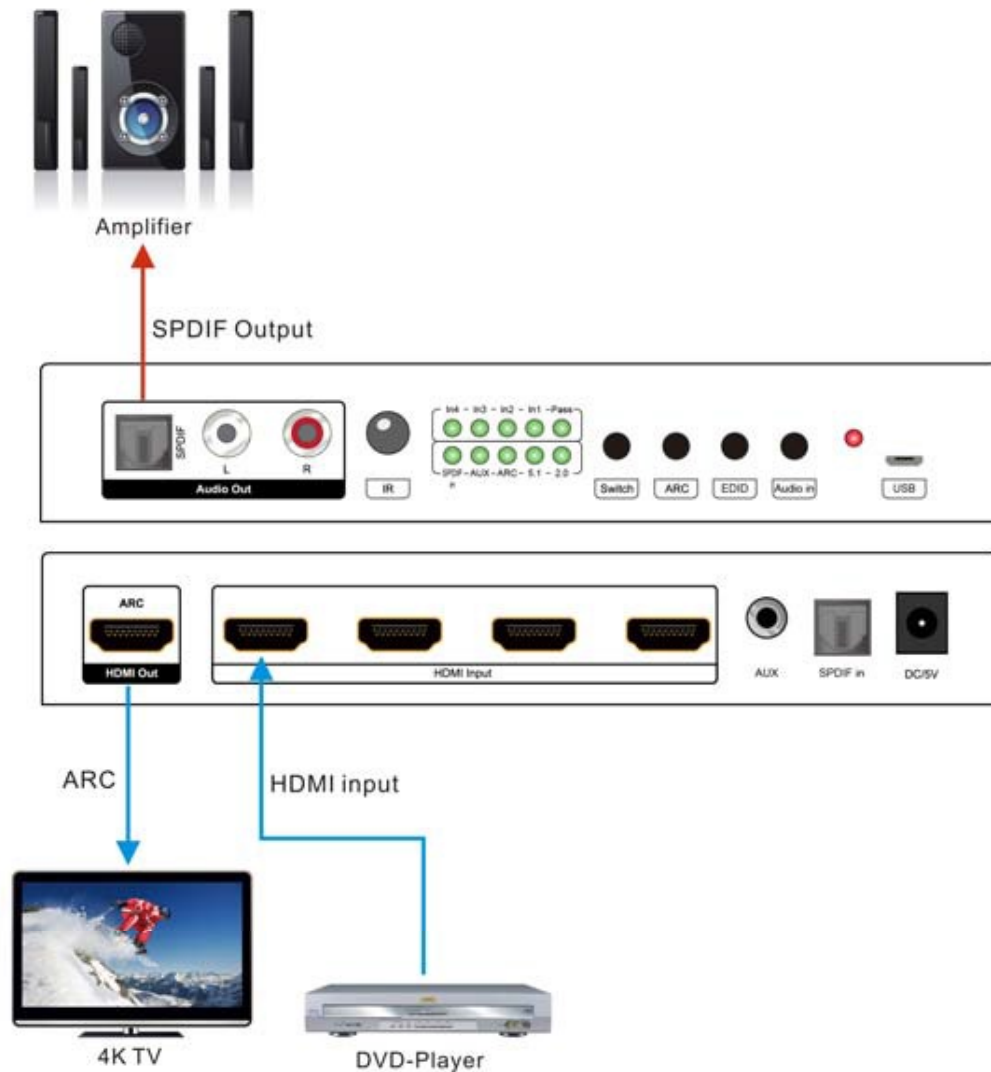
1. Connect source devices to input ports of the switch by HDMI Cable.
2. Connect HDMI output port to TV or other HDMI sink devices by HDMI Cable.
3. Connect 5V POWER supply to DC power socket.
4. Power on

Application Diagram

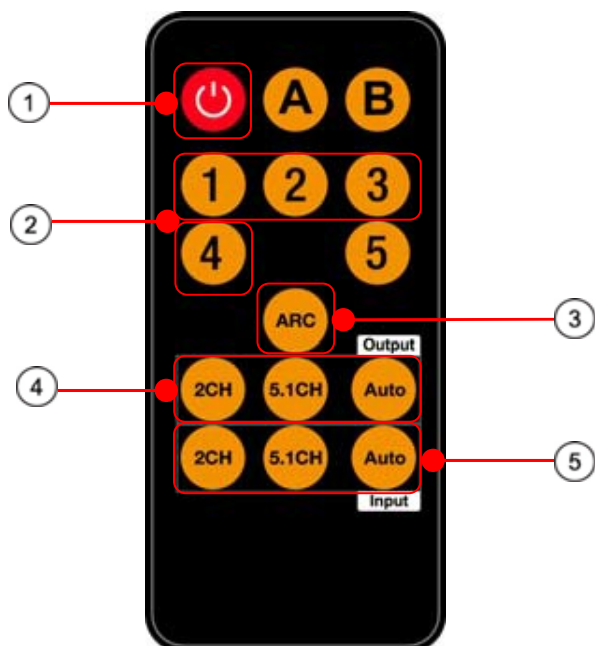


***Note: Only input 1 support CEC**

ARC Application Diagram



Remote Control Description



- ① Power on/off
- ② HDMI sources(1~4)
- ③ ARC on/off
- ④ Audio select button by EDID
- ⑤ Mix audio input select button

MAINTENANCE

Clean this unit with a soft, dry cloth. Never use alcohol, paint thinner or benzene to clean this unit.

PRODUCT SERVICE

1) Damage requiring service: The unit should be serviced by qualified service personnel if:

- (a) The DC power supply cord or AC adaptor has been damaged;
- (b) Objects or liquids have gotten into the unit;
- (c) The unit has been exposed to rain;
- (d) The unit does not operate normally or exhibits a marked change in performance;
- (e) The unit has been dropped or the cabinet damaged.

2) Servicing Personnel: Do not attempt to service the unit beyond that described in these operating instructions. Refer all other servicing to authorized servicing personnel.

3) Replacement parts: When parts need replacing ensure the servicer uses parts specified by the manufacturer or parts that have the same characteristics as the original parts.

Unauthorized substitutes may result in fire, electric shock, or other hazards.

4) Safety check: After repairs or service, ask the servicer to perform safety checks to confirm that the unit is in proper working condition.

WARRANTY

If your product does not work properly because of a defect in materials or workmanship, our Company (referred to as "the warrantor") will , for the length of the period indicated as below, **(Parts(2)Year ,Labor(90) Days)** which starts with the date of original purchase ("Limited Warranty period"), at its option either (a) repair your product with new or refurbished parts, or (b) replace it with a new or a refurbished product. The decision to repair or replace will be made by the warrantor.

During the "Labor" Limited Warranty period there will be no charge for labor.

During the "Parts" warranty period, there will be no charge for parts. You must mail-in your product during the warranty period. This Limited Warranty is extended only to the original purchaser and only covers product purchased as new. A purchase receipt or other proof of original purchase date is required for Limited Warranty service.

Mail-In Service

When shipping the unit carefully pack and send it prepaid, adequately insured and preferably in the original carton. Include a letter detailing the complaint and provide a day time phone and/or email address where you can be reached.

LIMITED WARRANTY LIMITS AND EXCLUSIONS

1) This Limited Warranty ONLY COVERS failures due to defects in materials or workmanship, and DOES NOT COVER normal wear and tear or cosmetic damage. The Limited Warranty ALSO DOES NOT COVER damages which occurred in shipment, or failures which are caused by products not supplied by warrantor, or failures which result from accidents, misuse, abuse, neglect, mishandling, misapplication, alteration, faulty installation, set-up adjustments, maladjustment of consumer controls, improper maintenance, power line surge, lightning damage, modification, or service by anyone other than a Factory Service center or other Authorized Servicer, or damage that is attributable to acts of God.

2) THERE ARE NO EXPRESS WARRANTIES EXCEPT AS LISTED UNDER "LIMITED WARRANTY COVERAGE". THE WARRANTOR IS NOT LIABLE FOR INCIDENTAL OR CONSEQUENTIAL DAMAGES RESULTING FROM THE USE OF THIS PRODUCT, OR ARISING OUT OF ANY BREACH OF THIS WARRANTY. (As examples, this excludes damages for lost time, cost of having someone remove or re-install an installed unit if applicable, travel to and from the service, loss of or damage to media or images, data or other recorded content. The items listed are not exclusive, but are for illustration only.)

3) PARTS AND SERVICE, WHICH ARE NOT COVERED BY THIS LIMITED WARRANTY, ARE YOUR RESPONSIBILITY.